



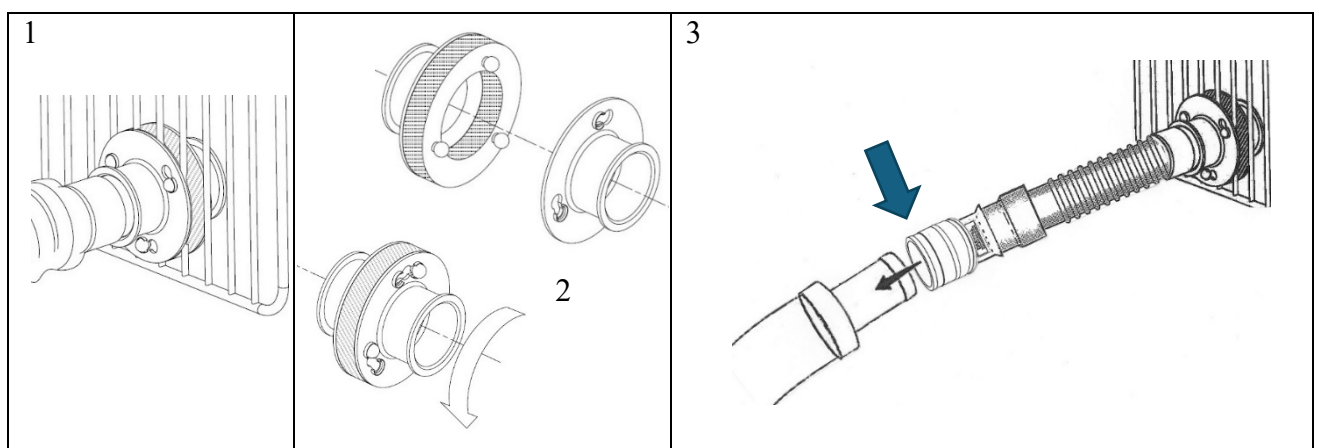
Guide for use

Darvall Cozy Cwik™ Kennel Door Adapter

Connects Cozy™ Warm Air Heater to Cozy™ Warm Air Kennel Blankets to safely and effectively pre-warm and re-warm in recovery.

- Fits to most kennel door grills.
- Blue side is outside of kennel door - connect hose nozzle to ribbed port (See 1 below).
- Red side is on inside of kennel door - three locating posts & foam gasket.
- Locate the Cozy Cwik™ adapter low down and close to the door hinge (See 3 below).
- Push the two sides together, hold the red side still and twist the blue side until it locks (See 2 below).
- Connect blanket to flanged port on the red side.
- Connect heater hose nozzle to ribbed port on the blue side.
- Connects to most other warm air heater using KDA hose adapter.
- Flexible 50mm (2") ID adapter fits onto the hose nozzle of most hoses.
- Connect the short 25cm (10") extension hose between this adapter and the KDA.

Simple, fast, safe and rapidly move between kennels
No nuts/screws/straps



Further Information – see product manual